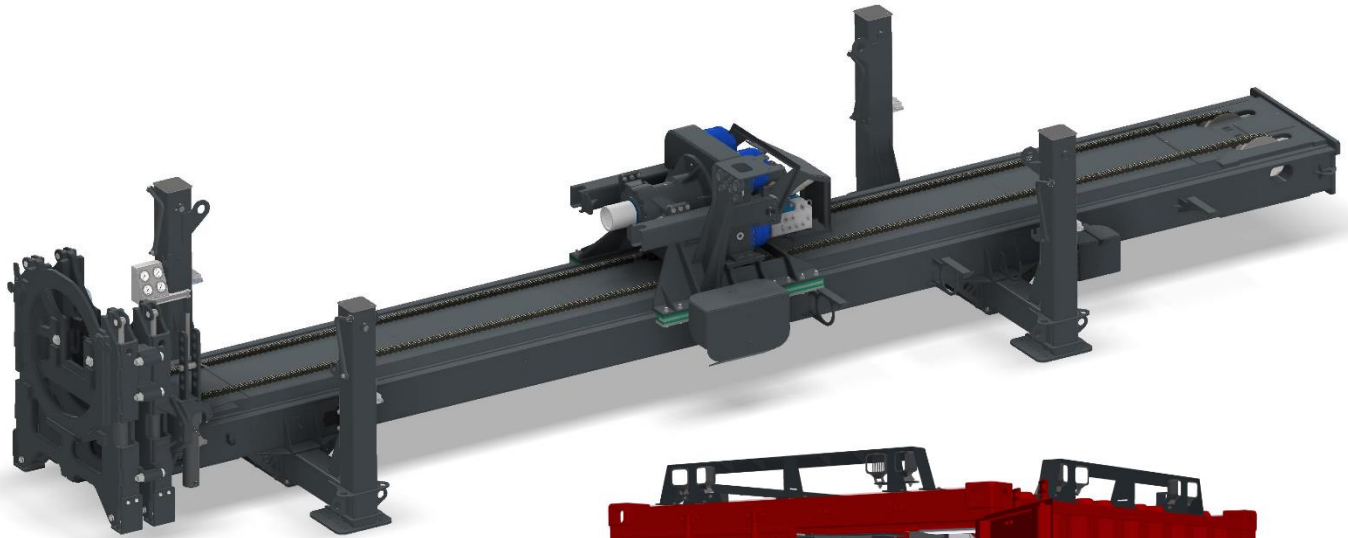


QMATEC 4540G

HORIZONTAL RIG



POWER PACK

Engine Model	Deutz TCD 6.1 L6
Engine Power	180 kW
Weight std. Power Pack	6000 kg

MAST

Weight std. Frame	9500 kg
Feed Stroke	7 000 mm
Feed Force	40 000 kg
Retract Force	40 000 kg
Drill Table	Double \varnothing 850mm Single \varnothing 1250mm
Mast Displacement	410 mm

ROTATION HEAD

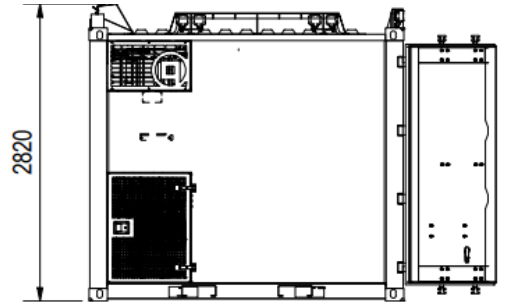
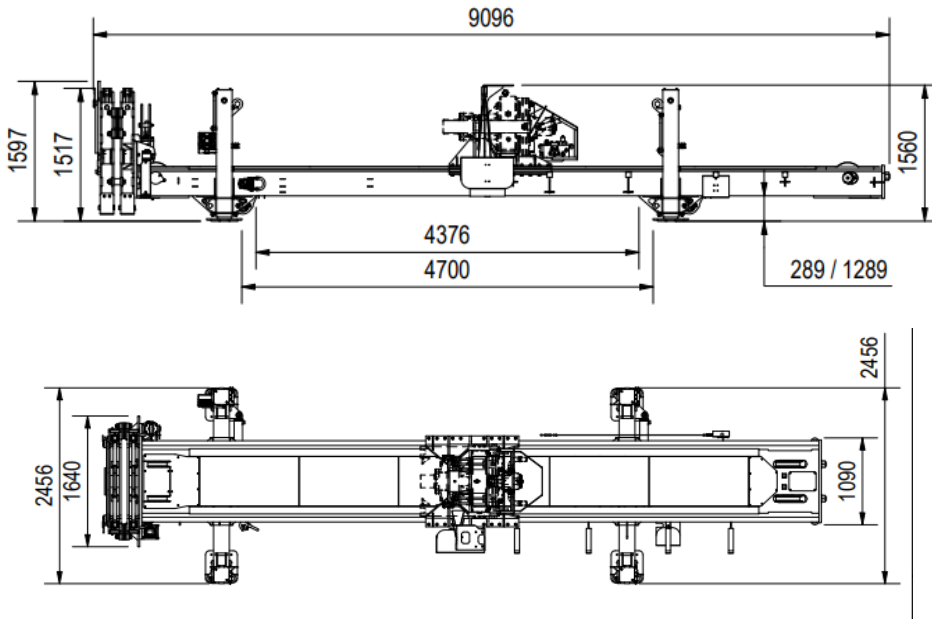
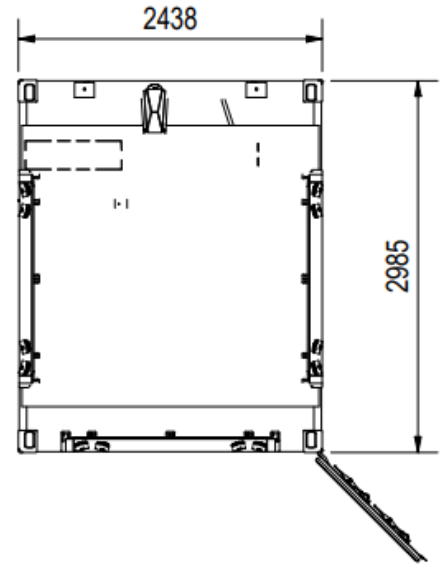
Torque	45 000 Nm
Rotation Speed	0-59 rpm
Spindle Threads	API 4 1/2"IF

OTHER

Hyd. tank	650 L
Diesel tank	560 L
Lub	140 L

SELECTION OF OPTIONAL EQUIPMENT

Wide Frame with Hydraulically offset on mast
 Welding Machine
 Water Pump
 Diverter Housing
 Crane 2.7 tm
 Other Equipment Delivered acc. to Agreement



www.qmatec.com

mail@qmatec.com

+47 35 06 34 00

