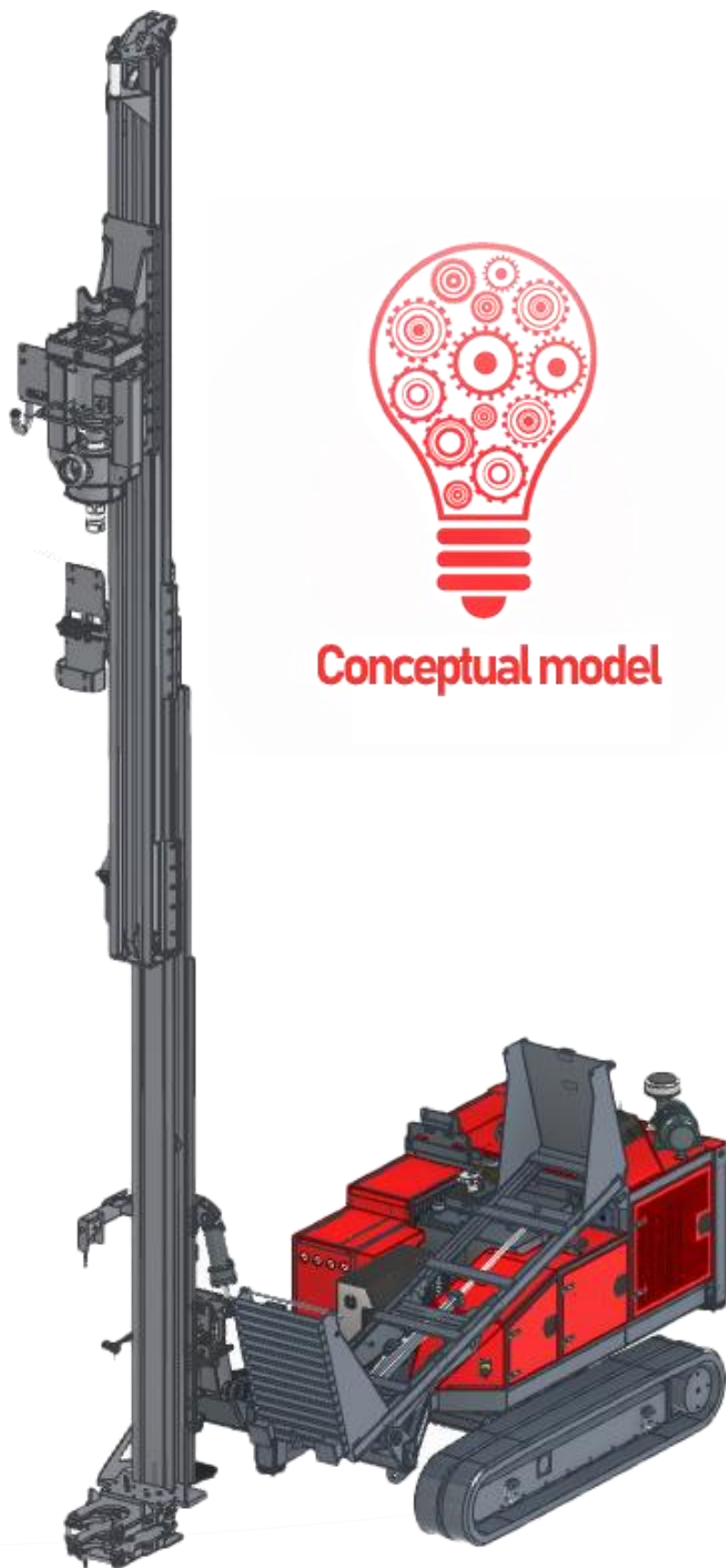


QMATEC 407C2T6

GEOTHERMAL RIG WITH SLEW DRIVE, TELESCOPIC MAST, AND EXTENDABLE UNDERCARRIAGE



Conceptual model



qmatec

MACHINE

Engine Model	Deutz TCD 3.6 Stage V
Engine Power	100 kW
Tractive Power	18 500 Nm
Track Width	400 mm
Weight std. from	9 000 kg

MAST

Feed Stroke	7 000 mm
Feed Force	3 500 kg
Retract Force	7 000 kg
Mast Winch	450 kg
Drill Table	∅230 / ∅280 mm
Mast Displacement	1 000 mm
Mast turn sideways	5/5 deg.
Rapid Pull up	0,60 m/sec
Pipe Wrench Cylinder	∅ 80 mm

ROTATION HEAD

Torque	Alt. 1: 2 100 / 4 200 Nm
	Alt. 2: 2 800 / 5 600 Nm
Rotation Speed	Alt. 1: 0-130 / 0-65 rpm
	Alt. 2: 0-100 / 0-50 rpm
Spindle Threads	API 2 7/8"IF - API2 3/8"REG

OTHER

Pipe Rack Capacity	96 pcs. 76 x 3000 mm
Track Speed	2,5 / 4,0 km/h
Battery	2 x 75 Ah
Hyd. Tank	170 L
Diesel Tank	120 L

SELECTION OF OPTIONAL EQUIPMENT

Main Winch 4000 kg
 Break-Out Clamps
 Welding Machine
 Water Pumps
 Water Tank



407C2 with 6 meter telescopic mast (7 meter stroke)

407C2 with 6 meter telescopic mast (7 meter stroke)

