

QMATEC 407G

Horizontal drilling rig

mail@qmatec.com

35 06 34 00

qmatec

Printed Aug.2022



qmatec

407 G Technical Data

ENGINE

Diesel Engine	Deutz TCD 3.4 L4
Power	90 kW
Weight std. Drilling rig	2 500 kg
Weight std. Power pack	2 700 kg

FEEDER

Feed length	1 700 mm
Feeder force	3 500 kg
Pull up	7 000 kg
Drill table	Ø280 mm
Feed Extention	650 mm
Rapid feed	0,60 m/sec
Rapid pull up	0,60 m/sec
Pipe wrench cylinder	Ø 80 mm

ROTATION UNIT

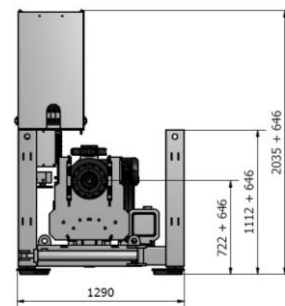
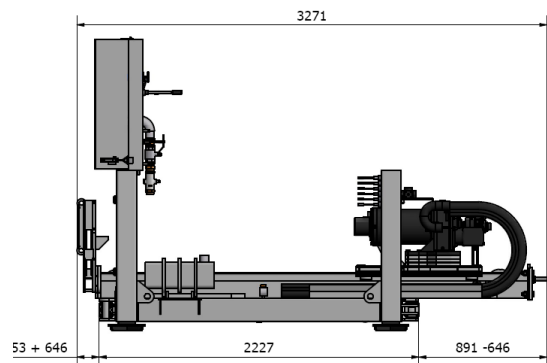
Torque	2800 / 5600 Nm
Rotation speed	0-100 / 0-50 rpm
Spindel thread API 2	API 2 7/8"IF BOX

OTHER

Battery	2 x 50 Ah dry
Hydr. tank	270 L
Diesel Tank	270 L

OPTIONAL EQUIPMENT

Welding machine
Water pump
Diverter housing



www.qmatec.com

mail@qmatec.com

35 06 34 00

qmatec 